

Model: EOS-600

Eos

The Eos range of VRLA batteries offers outstanding performance including a 15+ year design life and a cycle life in excess of 1200 cycles to 80% DOD. Built to the highest standards and compliant with the latest IEC60896-21/22 standard this range also offers 100% capacity out-of-the-box and is capable of handling deep discharges for complete peace of mind. The use of flexible connectors and the ability to be installed both horizontally and vertically allows for multiple installation possibilities. This robust design uses the latest AGM technology to create a range that is suitable for many applications including both fixed and mobile telecoms, UPS, utilities and solar.



Specifications

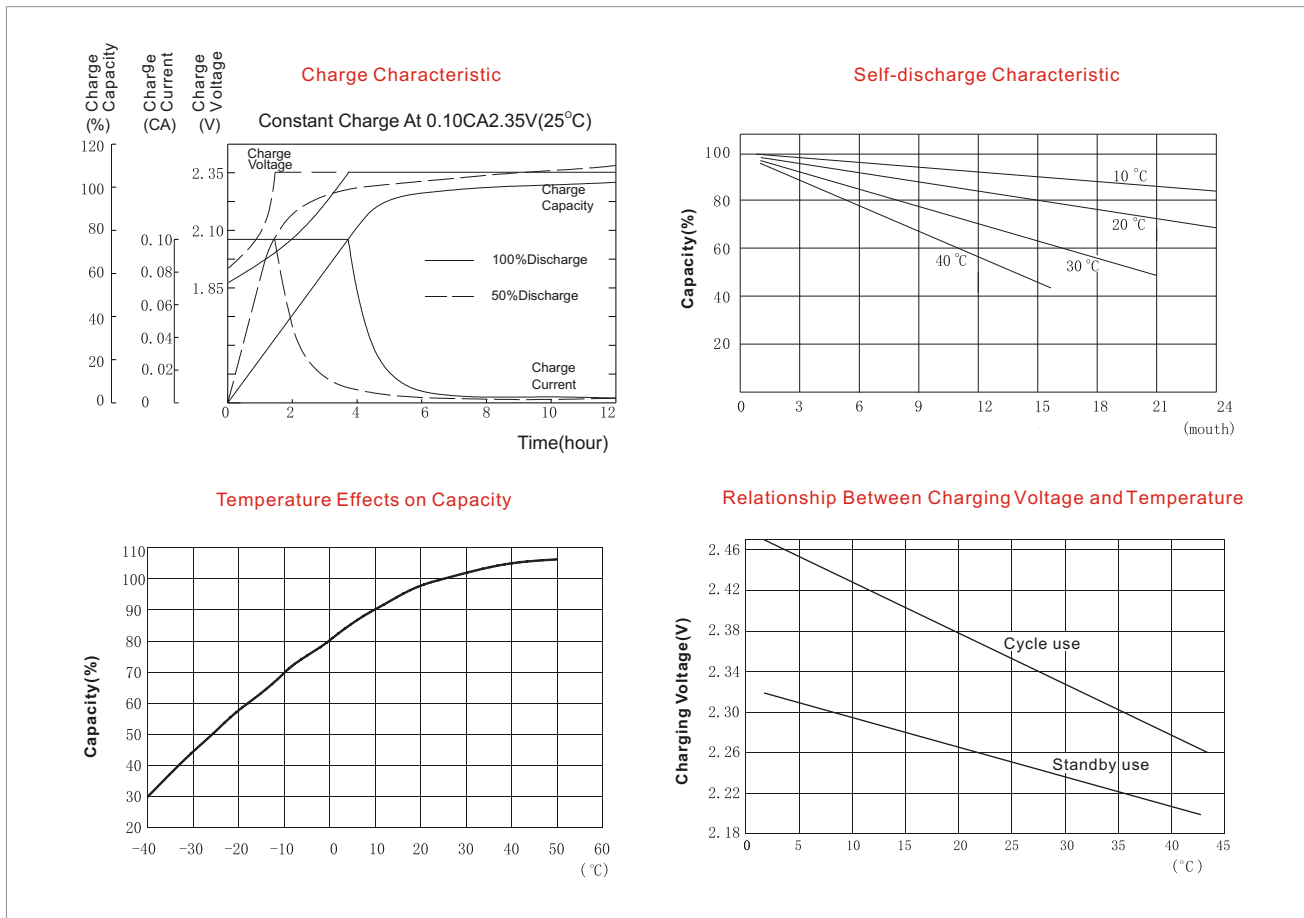
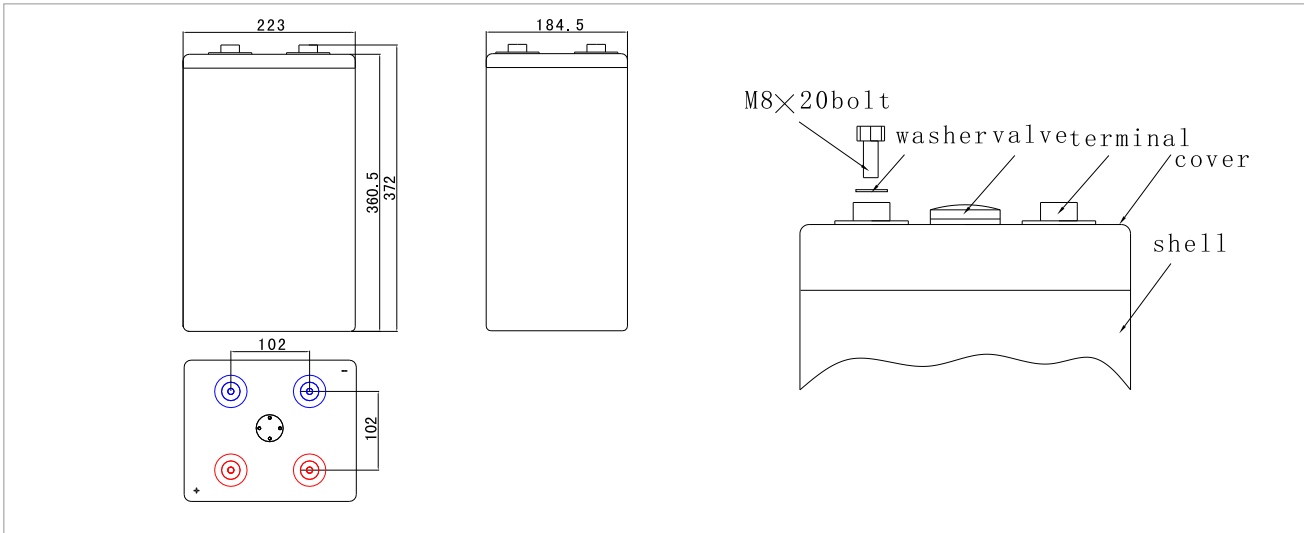
Battery Model	EOS-600			
Nominal Voltage	2V			
Capacity(25°C)	10HR(60A, 1.80V)	3HR(150A, 1.80V)		1HR(330A, 1.75V)
	600AH	450AH		330AH
Dimensions	Length	Width	Height	Total Height
	223mm	184.5mm	360.5mm	372mm
Approx. Weight	37kg			
Internal Resistance	0.28mΩ			
Max Charge Current Allowed	150A			
Charge Voltage(25°C)	Cycle use		Float use	
	2.35V/cell		2.25V/cell	
Temperature Ranges	Operation (maximum): -40°C to 55°C(-40°F to 131°F)			
	Operation (recommended): 15°C to 25°C(59°F to 77°F)			
	Storage: -20°C to 40°C(-4°F to 104°F)			
Terminal	M8 Female			
Terminal Hardware Torque	15 ± 1.0Nm			
Container Material	ABS (V0 optional)			

Constant Current Discharge Characteristics Units: Amperes (25°C, 77°F)

F.V/Time	5MIN	15MIN	30MIN	1HR	2HR	3HR	5HR	8HR	10HR	24HR
1.60V	1010	846	626	396	233	171	116	79.9	66.4	29.9
1.65V	933	789	600	376	228	167	113	78.8	65.6	29.8
1.70V	872	739	552	359	220	162	112	77.4	64.7	29.6
1.75V	831	700	513	342	212	157	109	76.4	63.7	29.3
1.80V	799	660	480	320	203	152	107	75.0	62.3	28.8
1.83V	744	620	457	300	194	147	104	73.7	61.0	28.2
1.85V	708	585	428	289	183	145	103	72.8	60.6	27.8
1.88V	658	534	402	277	179	142	102	72.0	60.1	27.6
1.90V	609	495	367	257	172	136	99.2	70.1	58.6	27.2
1.94V	547	441	325	228	155	125	91.9	65.5	55.2	26.4

Discharge Data with Constant Power Units: Watts per cell (25°C, 77°F)

F.V/Time	5MIN	15MIN	30MIN	1HR	2HR	3HR	5HR	8HR	10HR	24HR
1.60V	1717	1438	1145	816	527	390	258	172	140	63.0
1.65V	1633	1380	1083	754	483	366	249	166	137	62.2
1.70V	1570	1331	1056	718	469	353	243	162	133	60.8
1.75V	1521	1281	1020	690	452	340	237	156	131	60.3
1.80V	1479	1221	984	674	444	328	230	152	129	59.6
1.83V	1398	1165	928	650	426	320	226	149	127	58.7
1.85V	1345	1112	875	613	408	311	220	147	124	56.9
1.88V	1270	1030	814	576	379	300	212	143	121	55.6
1.90V	1187	965	738	528	354	288	205	138	115	53.4
1.94V	1073	864	661	468	327	268	194	132	110	52.6



NARADA POWER SOURCE CO.,LTD.
 No.459 Wensan Road, Hangzhou, Zhejiang, P.R.China
 Tel:+86-571-28827013 Fax:+86-571-85126942
 Website:www.naradabattery.com E-mail:intl@narada.biz

NARADA EUROPE LTD.
 PO Box 1137, Hemel Hempstead, HP1 9BQ, UK
 Tel:+44(0)1442 249791 Fax:+44(0)1442 229380
 E-mail: Sales@naradaeurope.com

NARADA ASIA PACIFIC PTE.LTD.
 65 Ubi Crescent, Ubi Centre #08-02 Singapore
 Tel:+65-68481191/+65-67421208 Fax:+65-67493498
 E-mail: Sales@narada.com.sg



Pb