

Model: EOS-2000

Eos

The Eos range of VRLA batteries offers outstanding performance including a 15+ year design life and a cycle life in excess of 1200 cycles to 80% DOD. Built to the highest standards and compliant with the latest IEC60896-21/22 standard this range also offers 100% capacity out-of-the-box and is capable of handling deep discharges for complete peace of mind. The use of flexible connectors and the ability to be installed both horizontally and vertically allows for multiple installation possibilities. This robust design uses the latest AGM technology to create a range that is suitable for many applications including both fixed and mobile telecoms, UPS, utilities and solar.



Specifications

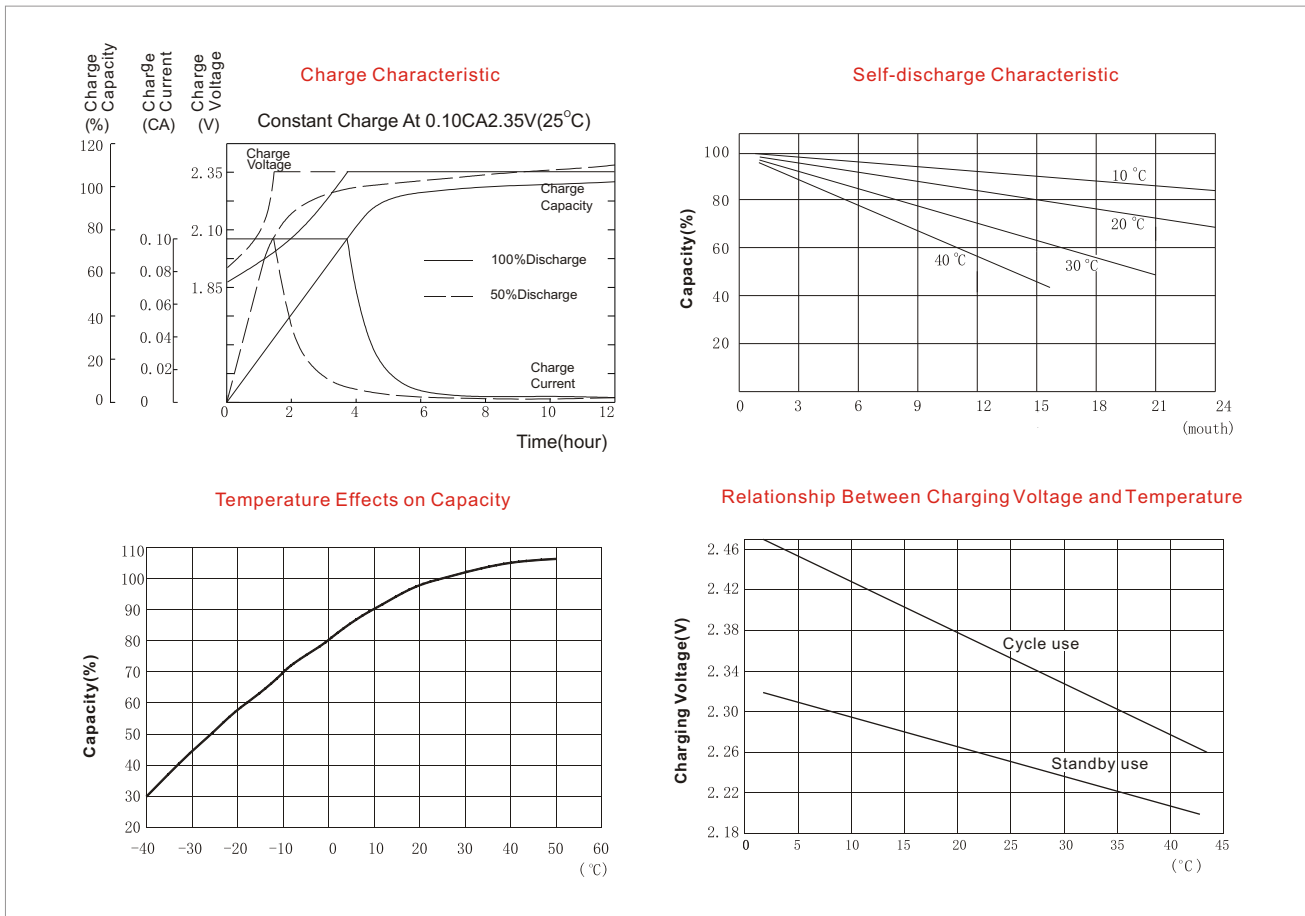
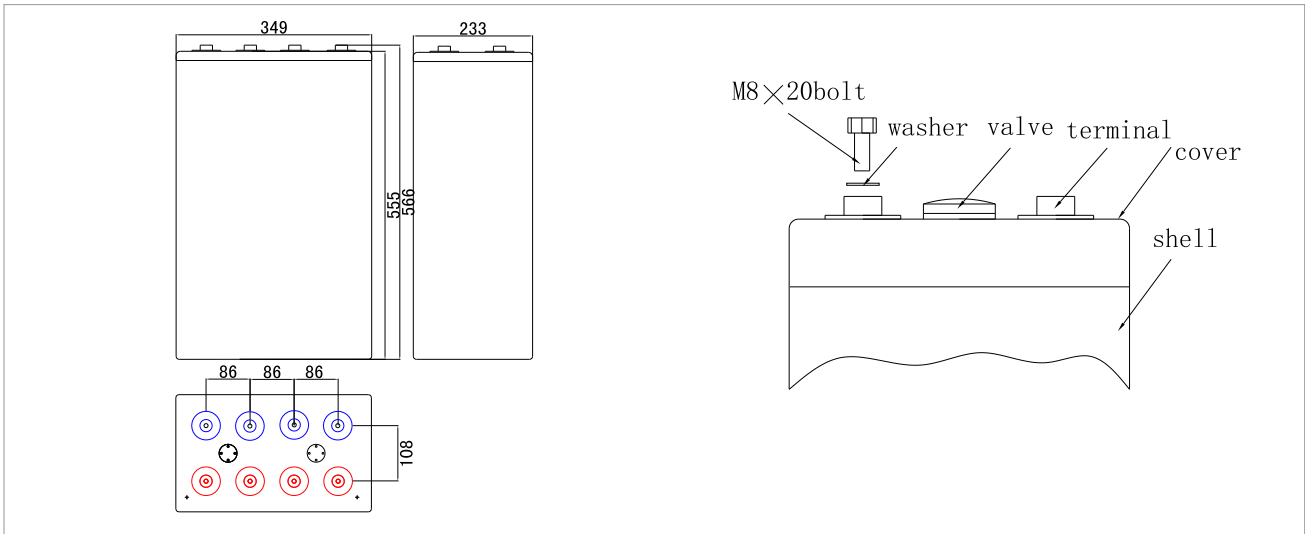
| Battery Model | EOS-2000 | | | |
|----------------------------|---|-----------------|------------|------------------|
| Nominal Voltage | 2V | | | |
| Capacity(25°C) | 10HR(200A,1.80V) | 3HR(500A,1.80V) | | 1HR(1100A,1.75V) |
| | 2000AH | 1500AH | | 1100AH |
| Dimensions | Length | Width | Height | Total Height |
| | 349mm | 233mm | 555mm | 566mm |
| Approx.Weight | 121kg | | | |
| Internal Resistance | 0.11mΩ | | | |
| Max Charge Current Allowed | 500A | | | |
| Charge Voltage(25°C) | Cycle use | | Float use | |
| | 2.35V/cell | | 2.25V/cell | |
| Temperature Ranges | Operation (maximum): -40°C to 55°C(-40°F to 131°F) | | | |
| | Operation (recommended): 15°C to 25°C(59°F to 77°F) | | | |
| | Storage: -20°C to 40°C(-4°F to 104°F) | | | |
| Terminal | M8 Female | | | |
| Terminal Hardware Torque | 15 ± 1.0Nm | | | |
| Container Material | ABS (V0 optional) | | | |

Constant Current Discharge Characteristics Units: Amperes (25°C, 77°F)

| F.V/Time | 5MIN | 15MIN | 30MIN | 1HR | 2HR | 3HR | 5HR | 8HR | 10HR | 24HR |
|----------|--------|--------|--------|--------|-------|-------|-------|-------|-------|------|
| 1.60V | 2895.8 | 2436.6 | 1980.0 | 1304.8 | 801.9 | 588.7 | 384.9 | 259.6 | 215.0 | 99.7 |
| 1.65V | 2715.4 | 2293.4 | 1805.8 | 1231.6 | 779.1 | 572.9 | 380.2 | 257.4 | 213.8 | 98.2 |
| 1.70V | 2552.0 | 2170.3 | 1651.3 | 1170.2 | 752.4 | 547.1 | 370.7 | 253.7 | 210.5 | 97.8 |
| 1.75V | 2407.4 | 2042.8 | 1522.6 | 1104.8 | 724.7 | 534.6 | 364.3 | 250.2 | 208.7 | 96.9 |
| 1.80V | 2274.3 | 1905.1 | 1425.6 | 1049.4 | 702.9 | 522.7 | 356.0 | 245.5 | 205.9 | 94.9 |
| 1.83V | 2106.4 | 1753.6 | 1330.6 | 990.0 | 673.2 | 506.9 | 350.5 | 244.0 | 204.9 | 94.9 |
| 1.85V | 1952.6 | 1620.5 | 1253.3 | 926.6 | 633.6 | 479.5 | 333.6 | 235.6 | 197.5 | 92.2 |
| 1.88V | 1792.8 | 1465.8 | 1160.3 | 841.5 | 589.1 | 452.1 | 318.0 | 227.0 | 190.1 | 89.4 |
| 1.90V | 1599.2 | 1279.4 | 1041.5 | 766.3 | 529.7 | 428.3 | 302.1 | 213.6 | 180.0 | 86.0 |
| 1.94V | 1439.5 | 1163.0 | 956.3 | 689.0 | 472.7 | 367.1 | 265.8 | 191.5 | 163.4 | 76.6 |

Discharge Data with Constant Power Units: Watts per cell (25°C, 77°F)

| F.V/Time | 5MIN | 15MIN | 30MIN | 1HR | 2HR | 3HR | 5HR | 8HR | 10HR | 24HR |
|----------|--------|--------|--------|--------|--------|--------|-------|-------|-------|-------|
| 1.60V | 4922.8 | 4142.2 | 3423.4 | 2496.8 | 1588.0 | 1178.1 | 801.9 | 574.2 | 475.2 | 226.3 |
| 1.65V | 4752.0 | 4013.5 | 3290.8 | 2418.1 | 1522.1 | 1148.4 | 782.1 | 561.3 | 463.3 | 220.6 |
| 1.70V | 4593.6 | 3906.5 | 3182.9 | 2326.5 | 1461.7 | 1124.6 | 766.3 | 552.4 | 459.4 | 218.7 |
| 1.75V | 4405.5 | 3738.2 | 2992.3 | 2193.8 | 1397.9 | 1102.9 | 752.4 | 540.5 | 455.4 | 216.9 |
| 1.80V | 4207.5 | 3524.4 | 2796.8 | 2019.6 | 1346.4 | 1069.2 | 732.6 | 528.7 | 447.5 | 213.1 |
| 1.83V | 3960.0 | 3296.7 | 2613.6 | 1888.9 | 1296.9 | 1045.4 | 712.8 | 514.8 | 439.6 | 209.3 |
| 1.85V | 3710.0 | 3078.9 | 2415.6 | 1730.5 | 1247.4 | 1009.8 | 693.0 | 498.6 | 423.7 | 201.8 |
| 1.88V | 3460.1 | 2828.9 | 2178.0 | 1584.0 | 1184.0 | 954.4 | 673.2 | 485.1 | 411.8 | 196.1 |
| 1.90V | 3118.5 | 2494.8 | 1975.1 | 1467.2 | 1124.6 | 920.7 | 647.5 | 467.3 | 398.8 | 189.9 |
| 1.94V | 2821.5 | 2279.5 | 1744.9 | 1322.6 | 1035.5 | 842.5 | 590.0 | 419.8 | 359.2 | 171.0 |



NARADA POWER SOURCE CO.,LTD.
 No.459 Wensan Road, Hangzhou, Zhejiang, P.R.China
 Tel:+86-571-28827013 Fax:+86-571-85126942
 Website:www.naradabattery.com E-mail:intl@narada.biz

NARADA EUROPE LTD.
 PO Box 1137,Hemel Hempstead, HP1 9BQ, UK
 Tel:+44(0)1442 249791 Fax:+44(0)1442 229380
 E-mail: Sales@naradaeurope.com

NARADA ASIA PACIFIC PTE.LTD.
 65 Ubi Crescent Holo centre #08-02 Singapore
 Tel:+65-68481191/+65-67421208 Fax:+65-67493498
 E-mail: Sales@narada.com.sg

