

Model: EOS-1500

Eos

The Eos range of VRLA batteries offers outstanding performance including a 15+ year design life and a cycle life in excess of 1200 cycles to 80% DOD. Built to the highest standards and compliant with the latest IEC60896-21/22 standard this range also offers 100% capacity out-of-the-box and is capable of handling deep discharges for complete peace of mind. The use of flexible connectors and the ability to be installed both horizontally and vertically allows for multiple installation possibilities. This robust design uses the latest AGM technology to create a range that is suitable for many applications including both fixed and mobile telecoms, UPS, utilities and solar.



Specifications

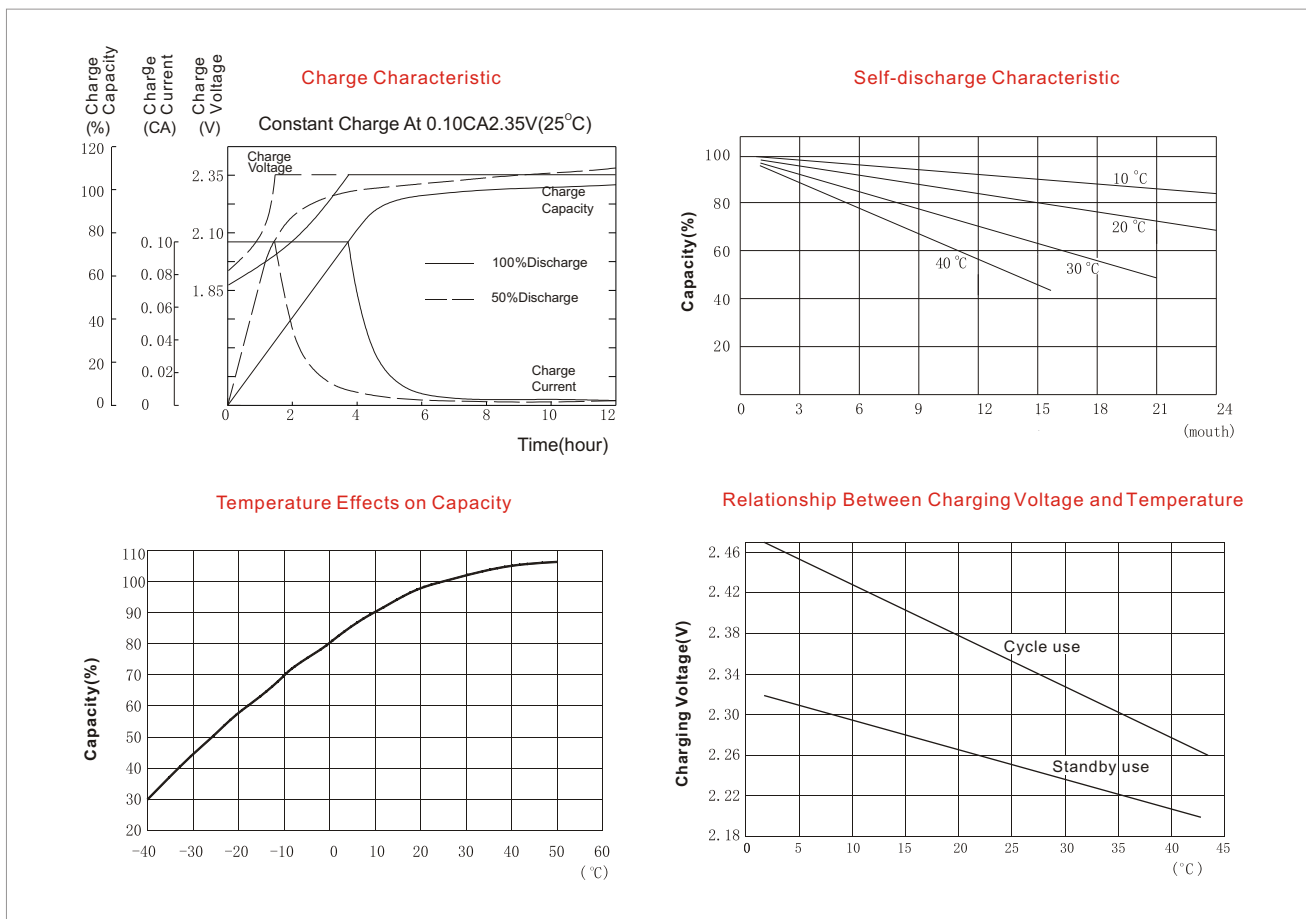
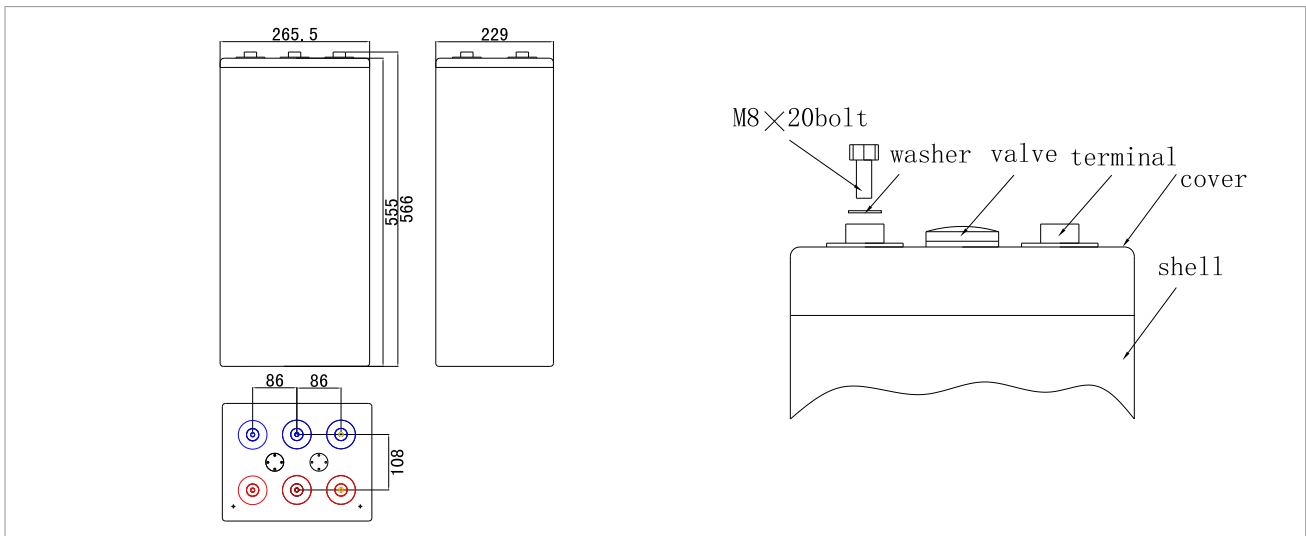
Battery Model	EOS-1500			
Nominal Voltage	2V			
Capacity(25°C)	10HR(150A,1.80V)	3HR(370A,1.80V)		1HR(825A,1.75V)
	1500AH	1125AH		825AH
Dimensions	Length	Width	Height	Total Height
	265.5mm	229mm	555mm	566mm
Approx.Weight	92kg			
Internal Resistance	0.14mΩ			
Max Charge Current Allowed	375A			
Charge Voltage(25°C)	Cycle use		Float use	
	2.35V/cell		2.25V/cell	
Temperature Ranges	Operation (maximum):		-40°C to 55°C(-40°F to 131°F)	
	Operation (recommended):		15°C to 25°C(59°F to 77°F)	
	Storage:		-20°C to 40°C(-4°F to 104°F)	
Terminal	M8 Female			
Terminal Hardware Torque	15 ± 1.0Nm			
Container Material	ABS (V0 optional)			

Constant Current Discharge Characteristics Units: Amperes (25°C, 77°F)

F.V/Time	5MIN	15MIN	30MIN	1HR	2HR	3HR	5HR	8HR	10HR	24HR
1.60V	2171.8	1827.4	1485.0	978.6	601.4	441.5	288.7	194.7	161.3	74.7
1.65V	2036.6	1720.1	1354.3	923.7	584.3	429.7	285.1	193.1	160.4	73.7
1.70V	1914.0	1627.7	1238.5	877.6	564.3	410.4	278.0	190.3	157.9	73.4
1.75V	1805.5	1532.1	1142.0	828.6	543.5	401.0	273.2	187.7	156.5	72.7
1.80V	1705.7	1428.8	1069.2	787.1	527.2	392.0	267.0	184.1	154.4	71.2
1.83V	1579.8	1315.2	997.9	742.5	504.9	380.2	262.8	183.0	153.7	71.2
1.85V	1464.5	1215.4	940.0	695.0	475.2	359.6	250.2	176.7	148.1	69.1
1.88V	1344.6	1099.3	870.2	631.1	441.8	339.1	238.5	170.2	142.6	67.1
1.90V	1199.4	959.5	781.1	574.7	397.2	321.3	226.6	160.2	135.0	64.5
1.94V	1079.7	872.2	717.3	516.8	354.5	275.3	199.4	143.6	122.5	57.4

Discharge Data with Constant Power Units: Watts per cell (25°C, 77°F)

F.V/Time	5MIN	15MIN	30MIN	1HR	2HR	3HR	5HR	8HR	10HR	24HR
1.60V	3692.1	3106.6	2567.6	1872.6	1191.0	883.6	601.4	430.7	356.4	169.7
1.65V	3564.0	3010.1	2468.1	1813.6	1141.6	861.3	586.6	421.0	347.5	165.5
1.70V	3445.2	2929.9	2387.1	1744.9	1096.3	843.5	574.7	414.3	344.5	164.1
1.75V	3304.1	2803.7	2244.2	1645.4	1048.4	827.1	564.3	405.4	341.6	162.6
1.80V	3155.6	2643.3	2097.6	1514.7	1009.8	801.9	549.5	396.5	335.6	159.8
1.83V	2970.0	2472.5	1960.2	1416.7	972.7	784.1	534.6	386.1	329.7	157.0
1.85V	2782.5	2309.2	1811.7	1297.9	935.6	757.4	519.8	373.9	317.8	151.3
1.88V	2595.0	2121.7	1633.5	1188.0	888.0	715.8	504.9	363.8	308.9	147.1
1.90V	2338.9	1871.1	1481.3	1100.4	843.5	690.5	485.6	350.5	299.1	142.4
1.94V	2116.1	1709.6	1308.7	992.0	776.7	631.9	442.5	314.8	269.4	128.3



NARADA POWER SOURCE CO.,LTD.
 No.459 Wensan Road, Hangzhou, Zhejiang, P.R.China
 Tel:+86-571-28827013 Fax:+86-571-85126942
 Website:www.naradabattery.com E-mail:intl@narada.biz

NARADA EUROPE LTD.
 PO Box 1137,Hemel Hempstead, HP1 9BQ, UK
 Tel:+44(0)1442 249791 Fax:+44(0)1442 229380
 E-mail: Sales@naradaeurope.com

NARADA ASIA PACIFIC PTE.LTD.
 65 Ubi Crescent Holo centre #08-02 Singapore
 Tel:+65-68481191/+65-67421208 Fax:+65-67493498
 E-mail: Sales@narada.com.sg

